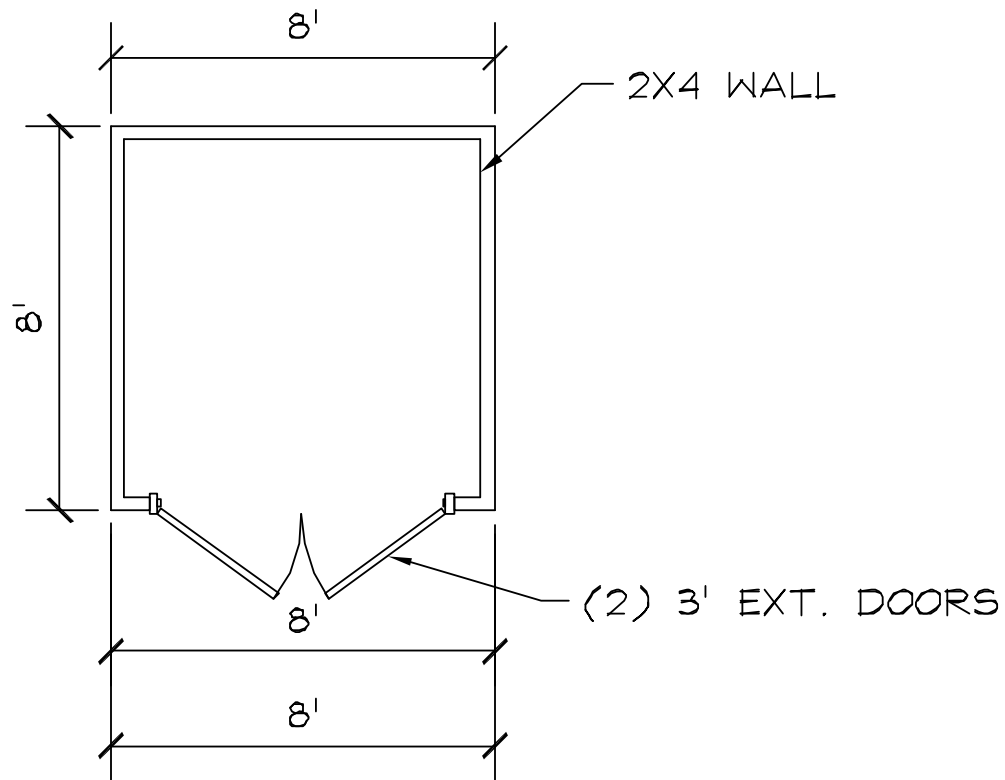


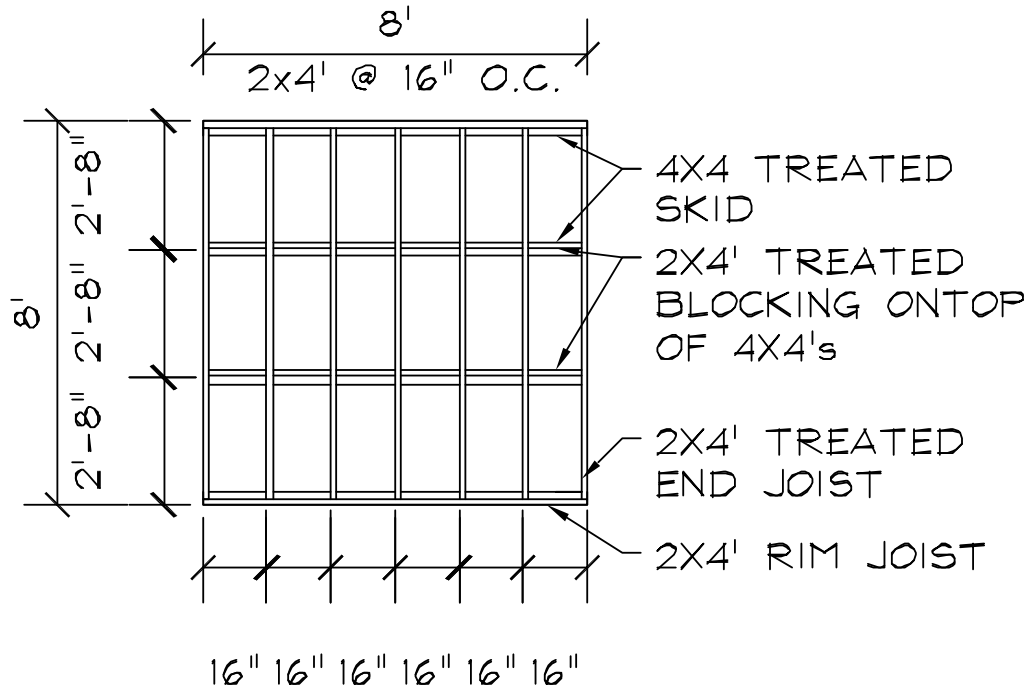
PROJECT PLAN INDEX

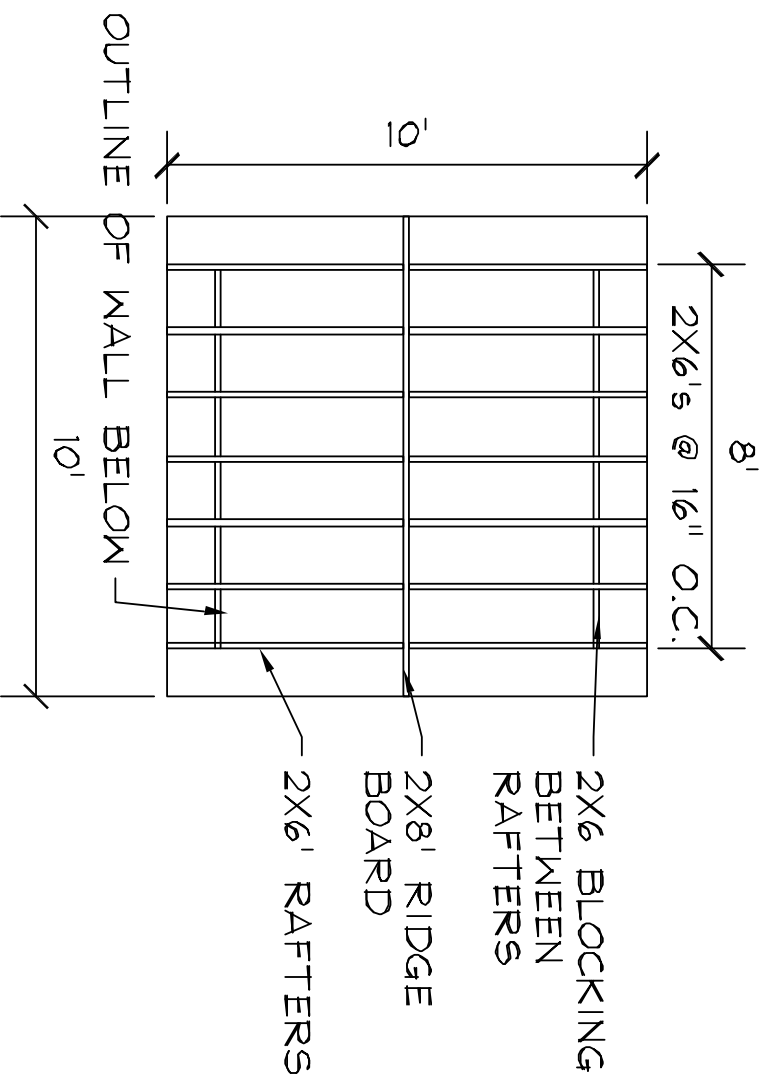
TITLE	1
FLOOR PLAN	2
FOUNDATION PLAN	3
ROOF PLAN	4
DEXULE FRONT ELEVATION	5
DEXULE REAR ELEVATION	6
DEXULE SIDE ELEVATION	7
RAFTER TEMPLATE	8
FULL SIZE RIDGE TEMPLATE	9
FULL SIZE SEAT TEMPLATE	10
FULL SIZE GABLE TEMPLATE	11
WALL SECTION	12
ECONMY FRONT ELEVATION	13
ECONMY REAR ELEVATION	14
ECONMY SIDE ELEVATION	15

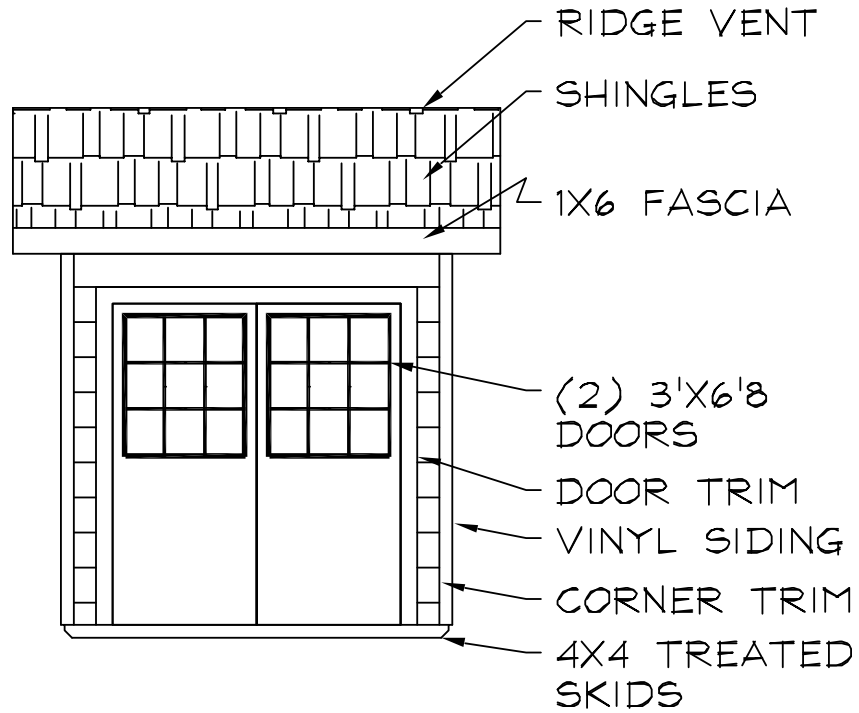


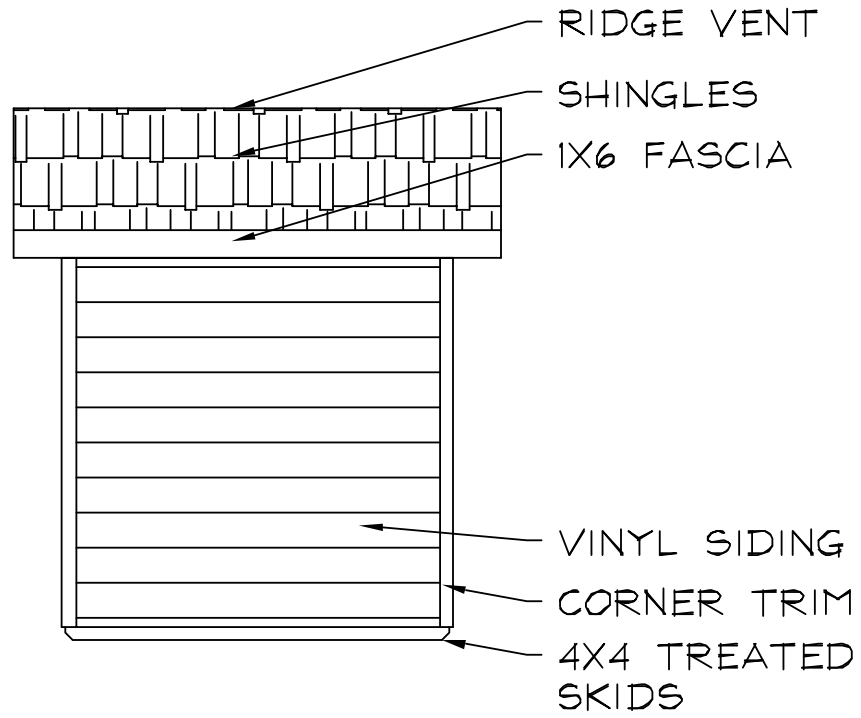
NOTE:

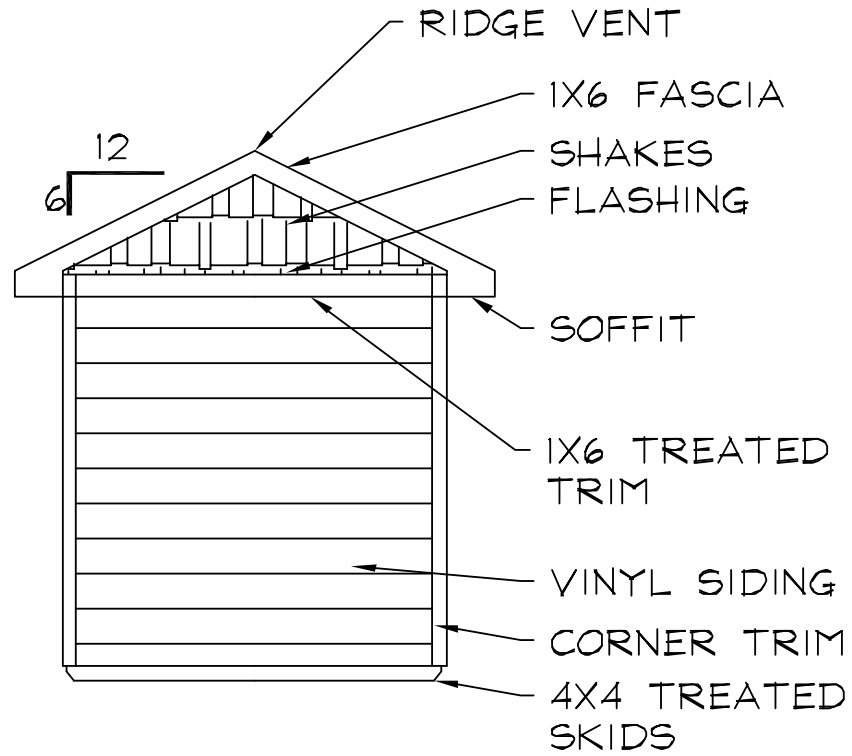
1. VERIFY ALL ROUGH OPENINGS PRIOR TO CONSTRUCTION.
2. 2X4 STUD WALLS 16" O.C.

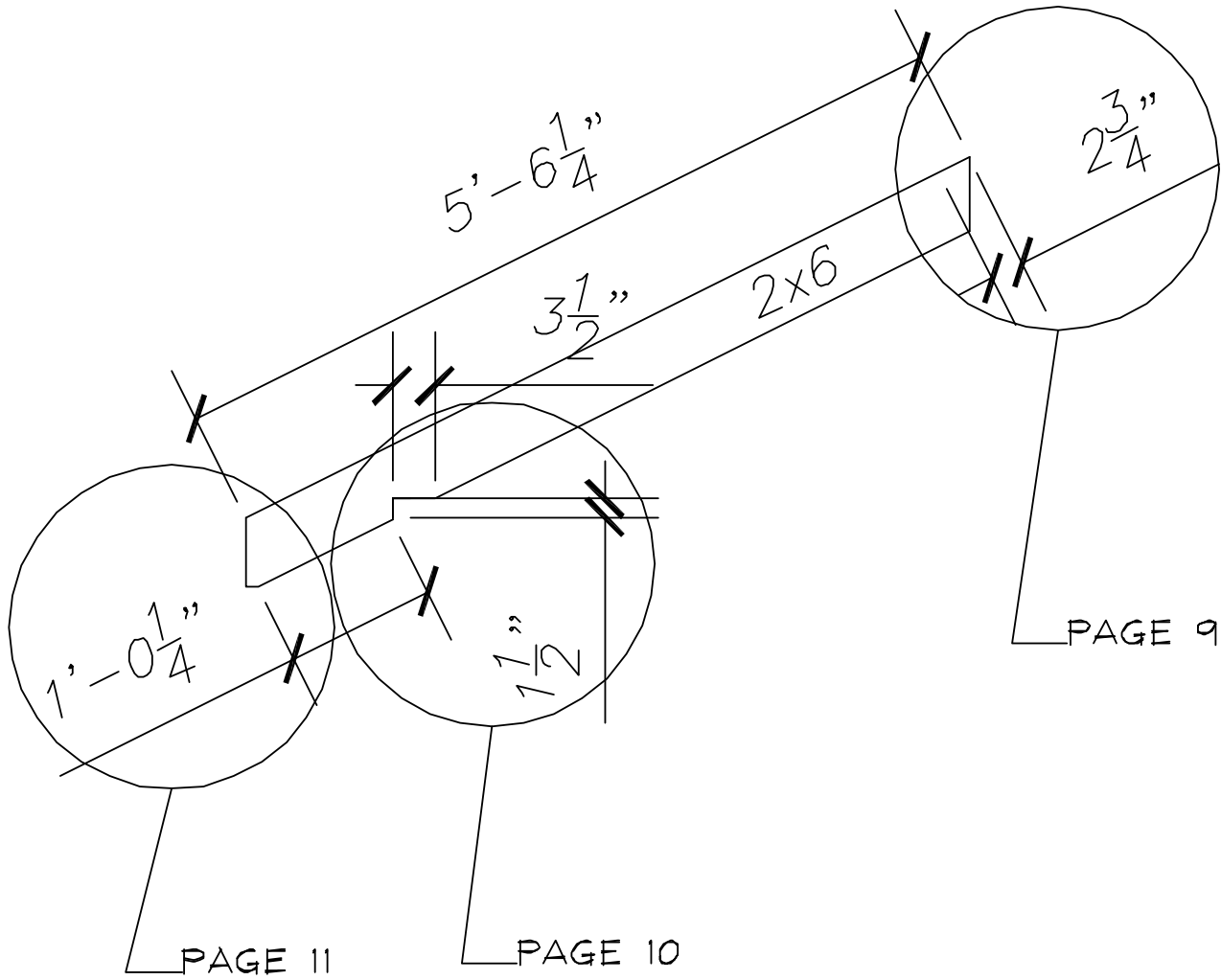


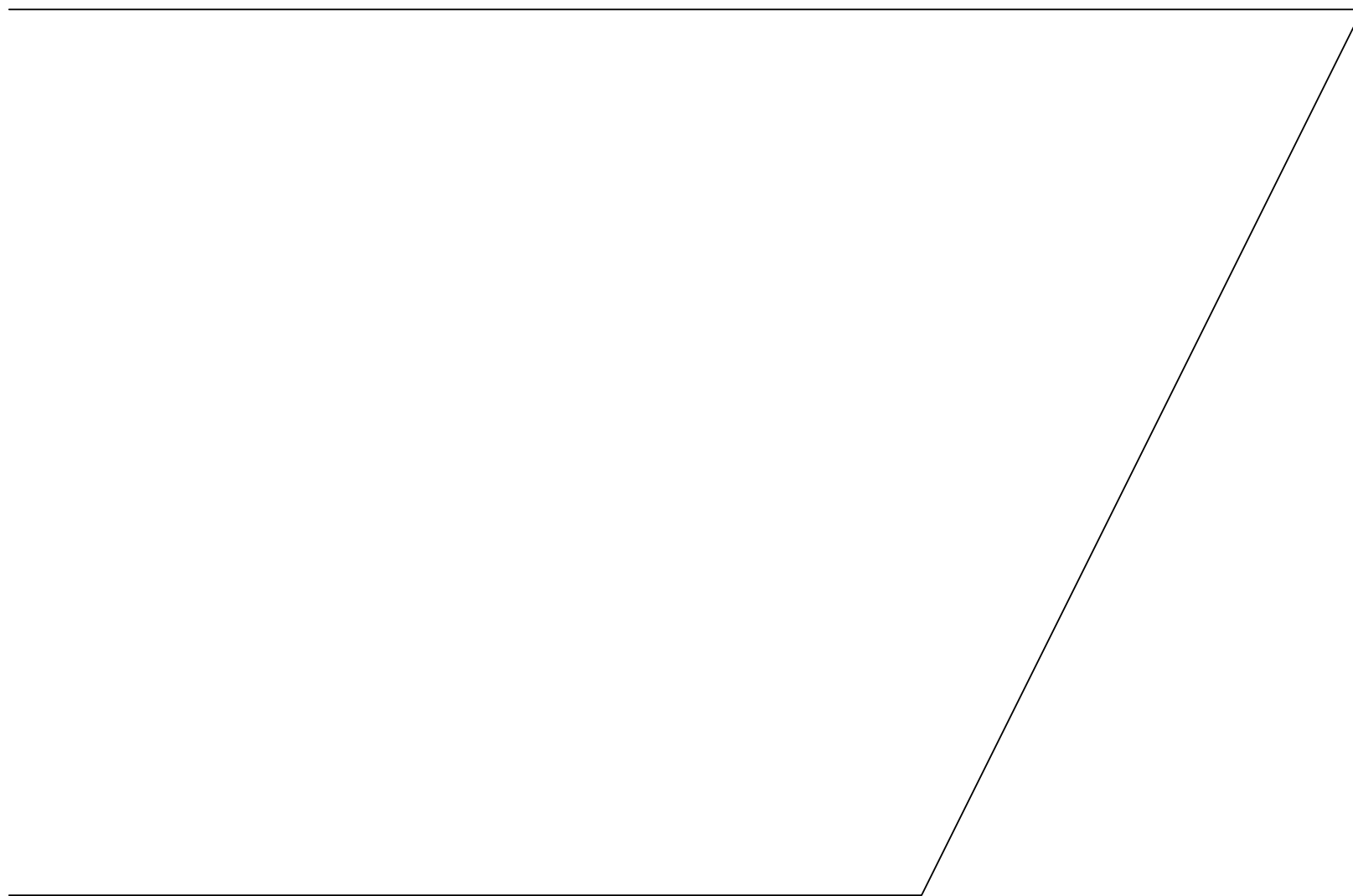


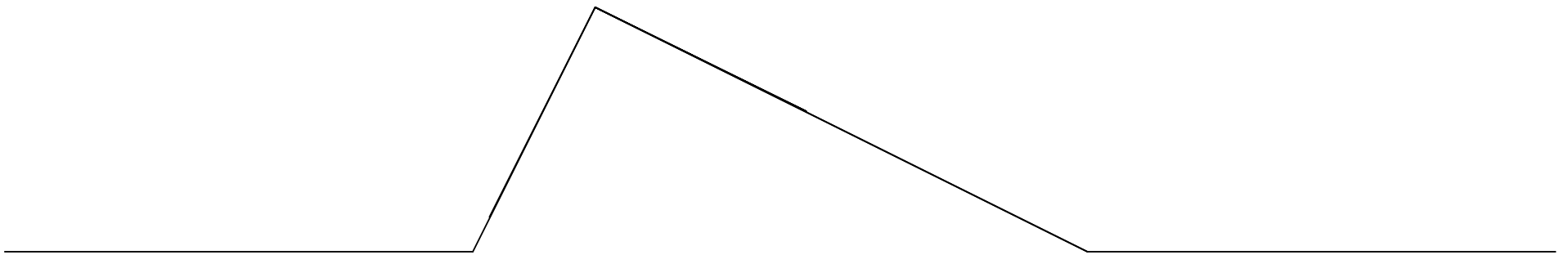


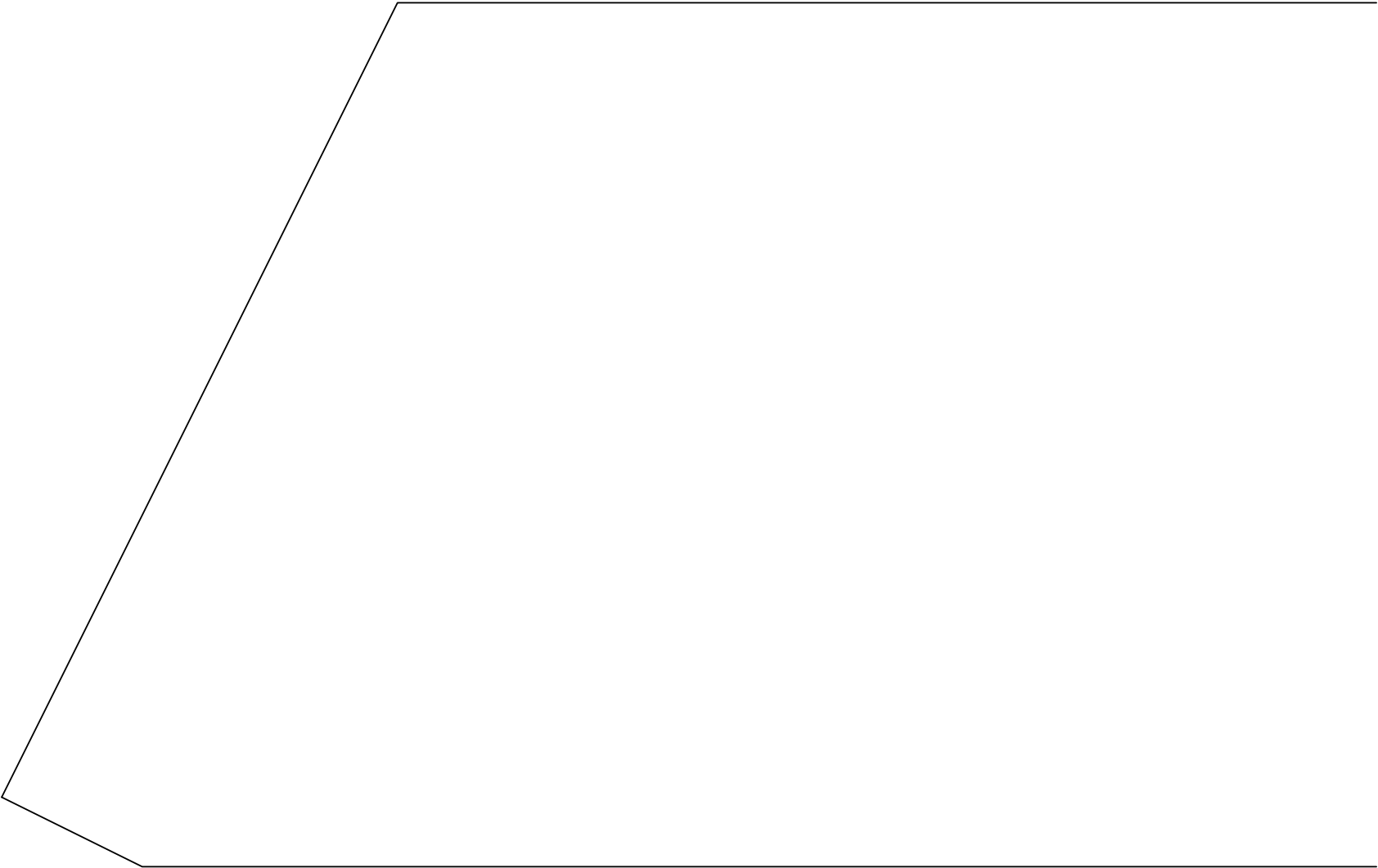


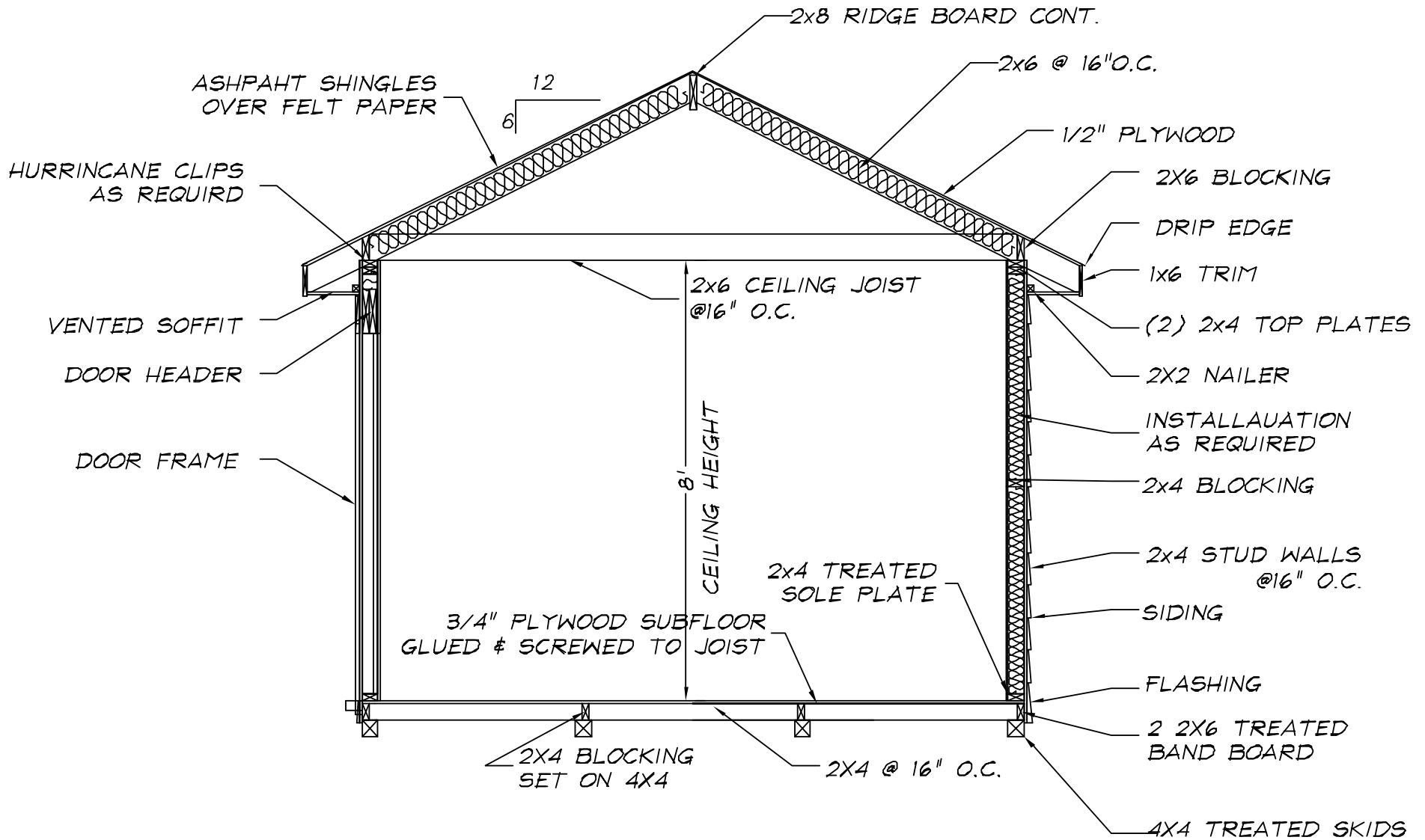


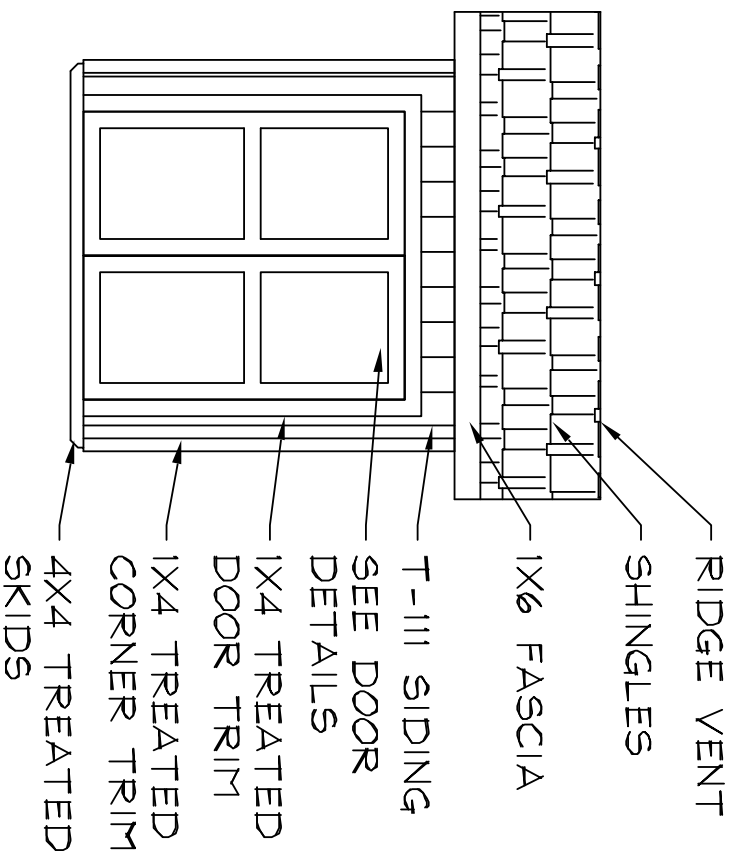


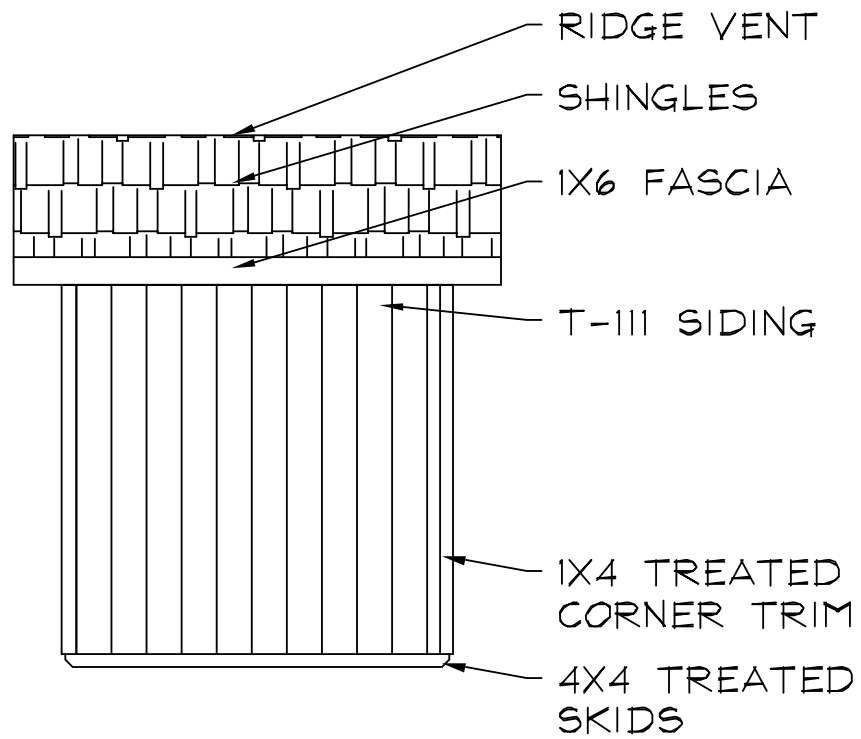


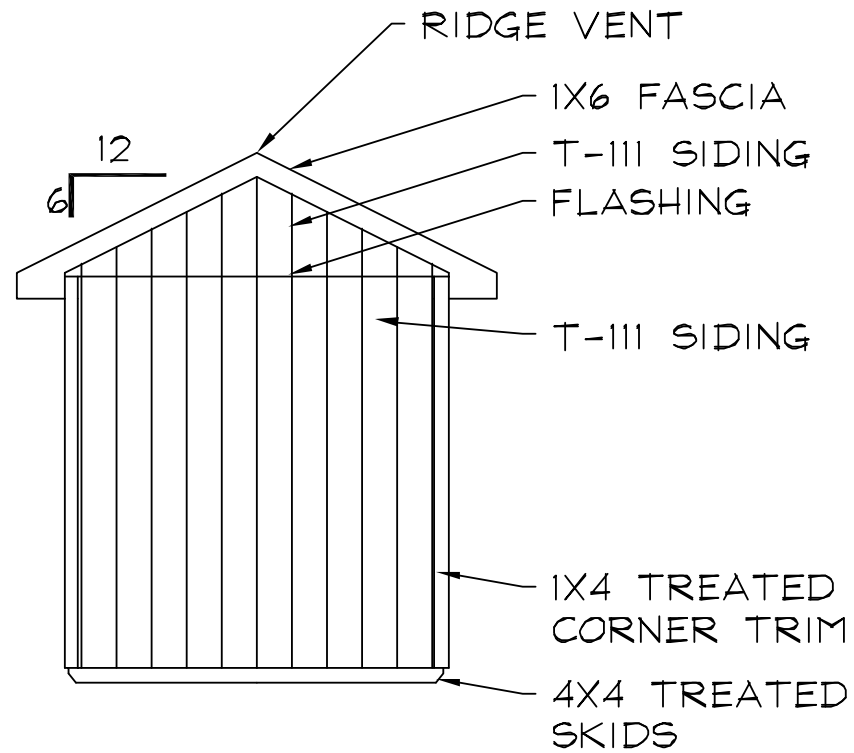


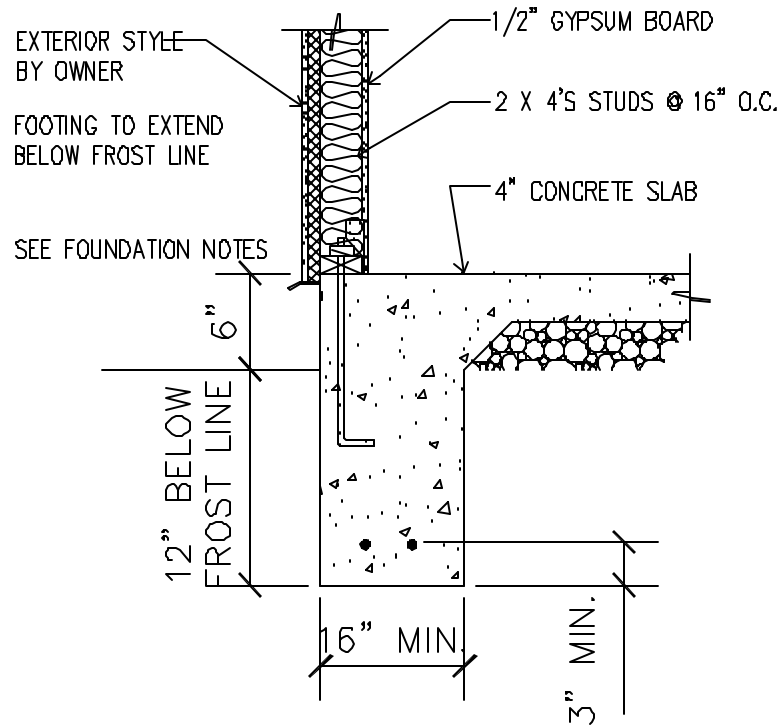






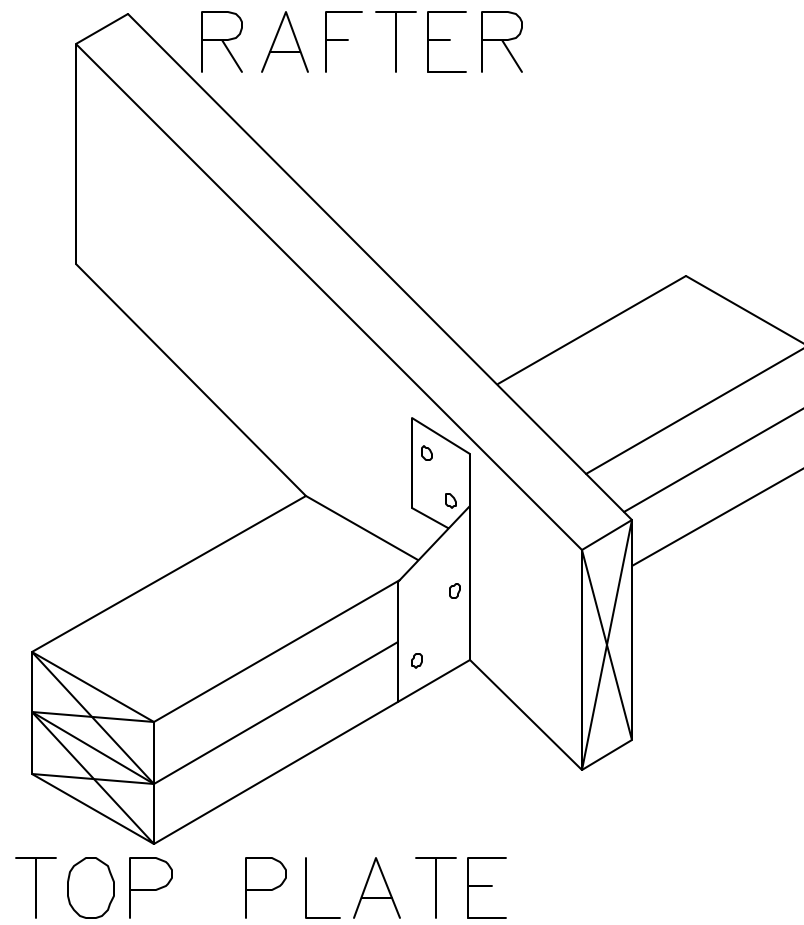






CONCRETE SLAB

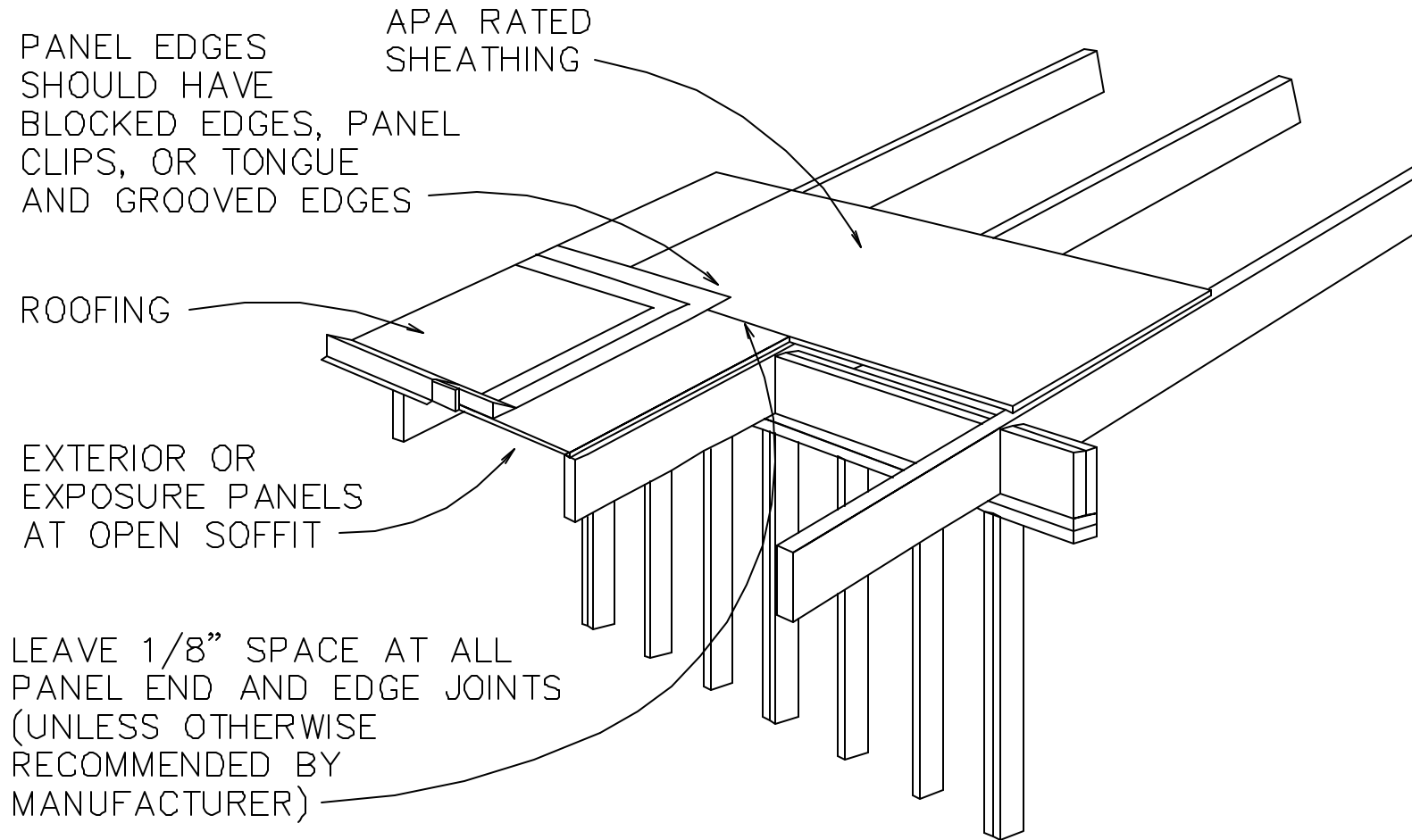
N.T.S.



SIMPSON H 2.5

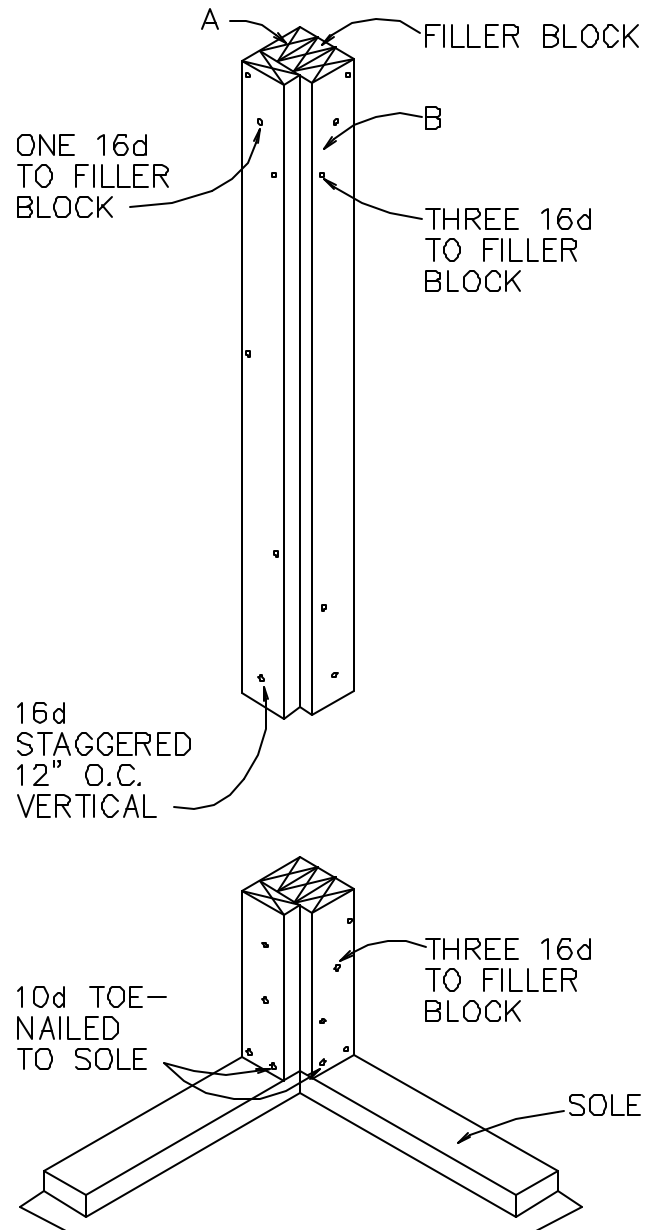
HOLD DOWN @ RAFTER

N.T.S.



OVERHANG DETAIL

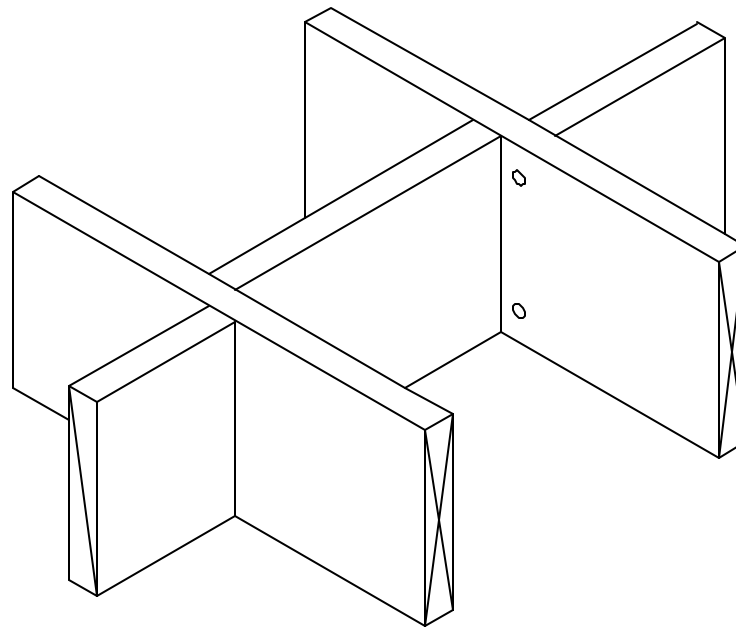
N.T.S.



CORNER FRAMING

N.T.S.

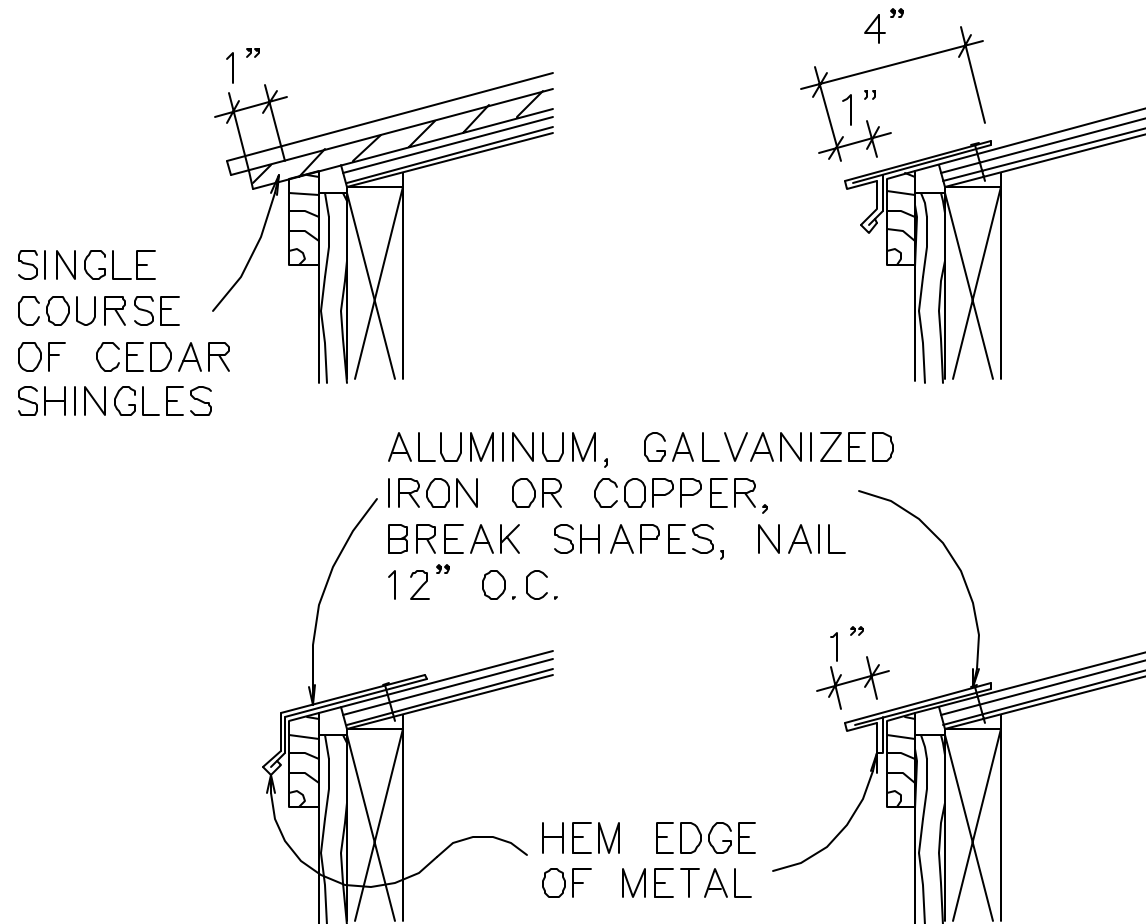
TWO 16d
TOENAILS
EACH END



SOLID BRIDGING
STAGGER BOARDS FOR
EASE OF NAILING

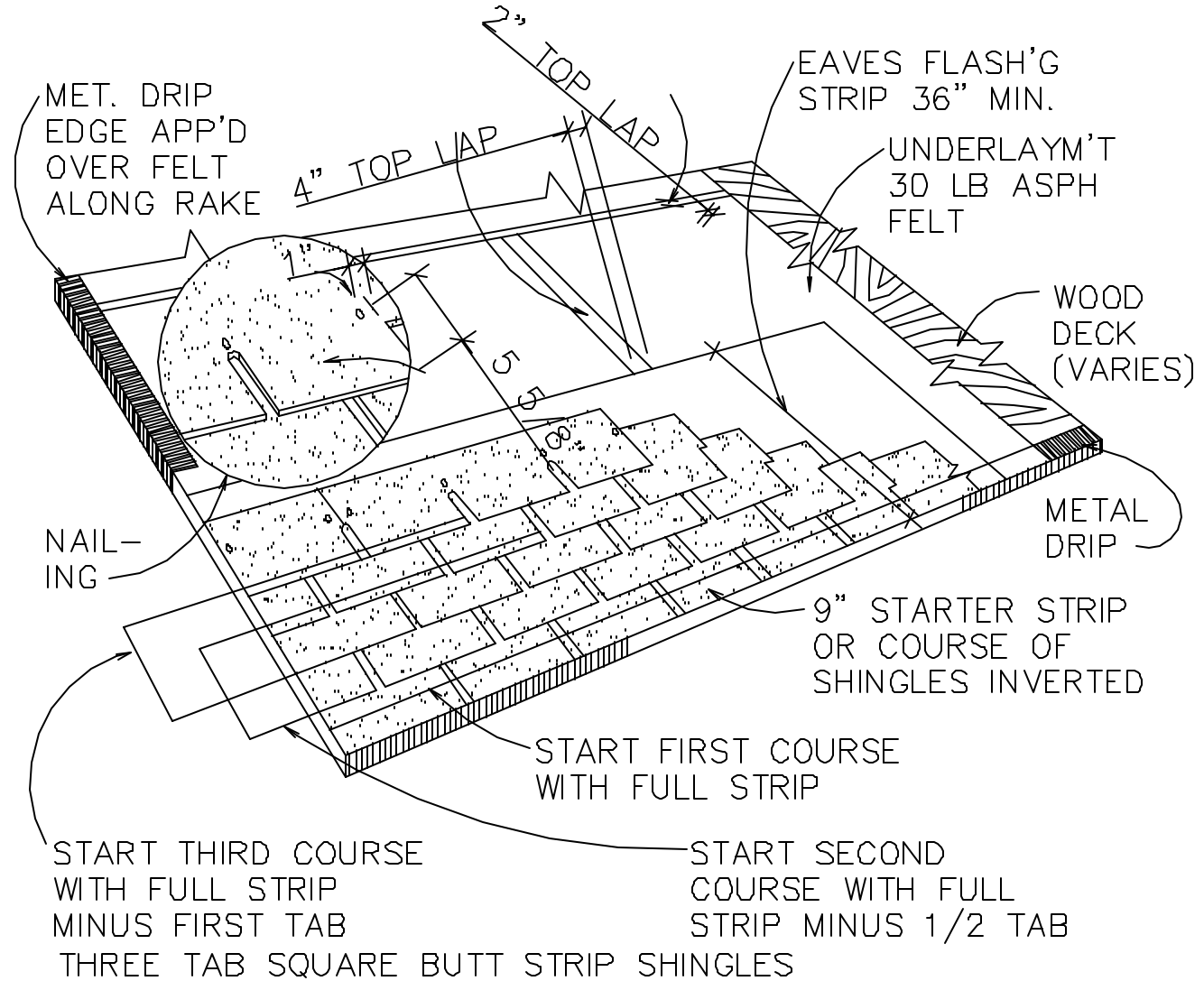
BLOCKING DETAIL

N.T.S.



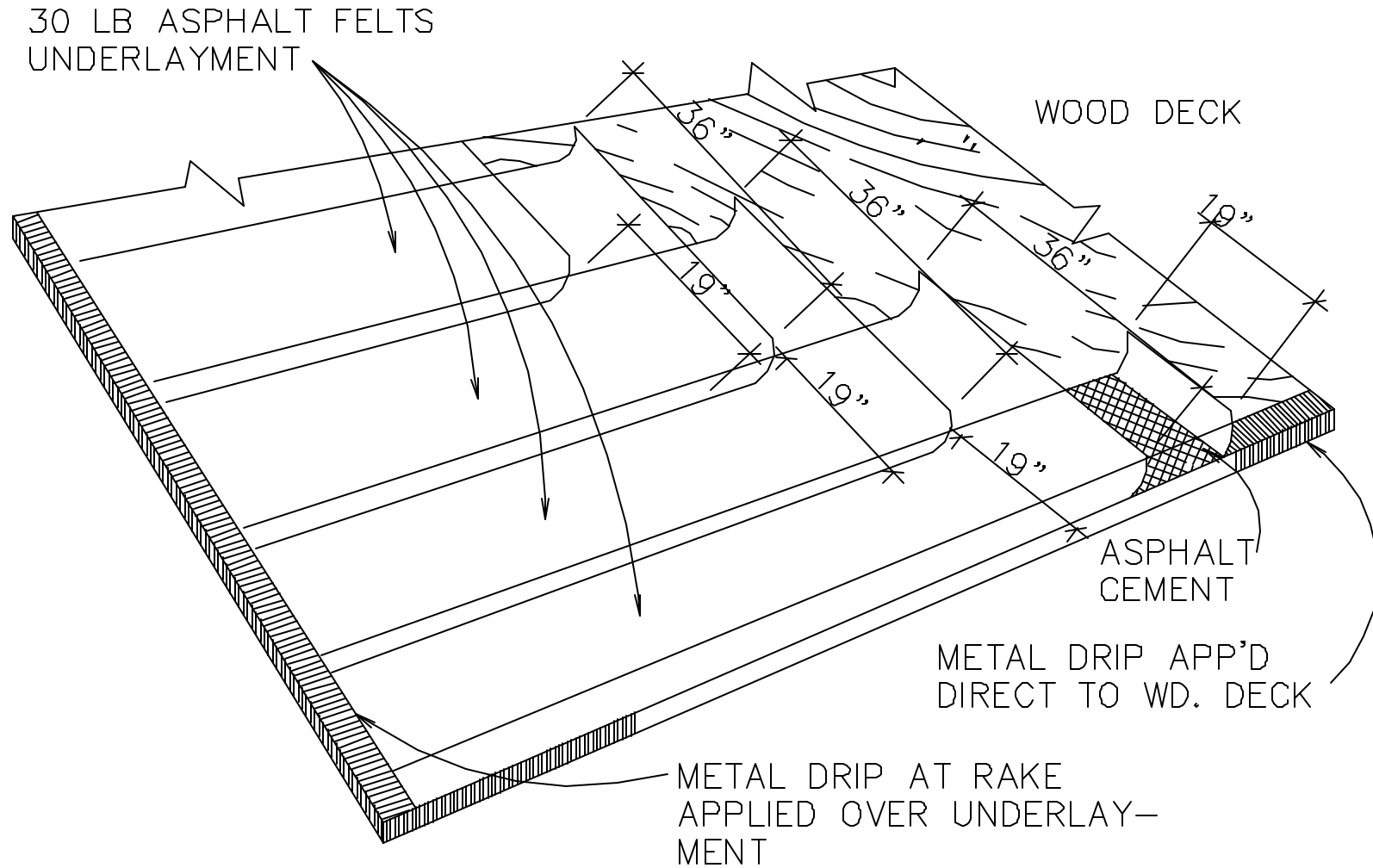
DRIP EDGE DETAIL

N.T.S.



ROOFING LAYOUT

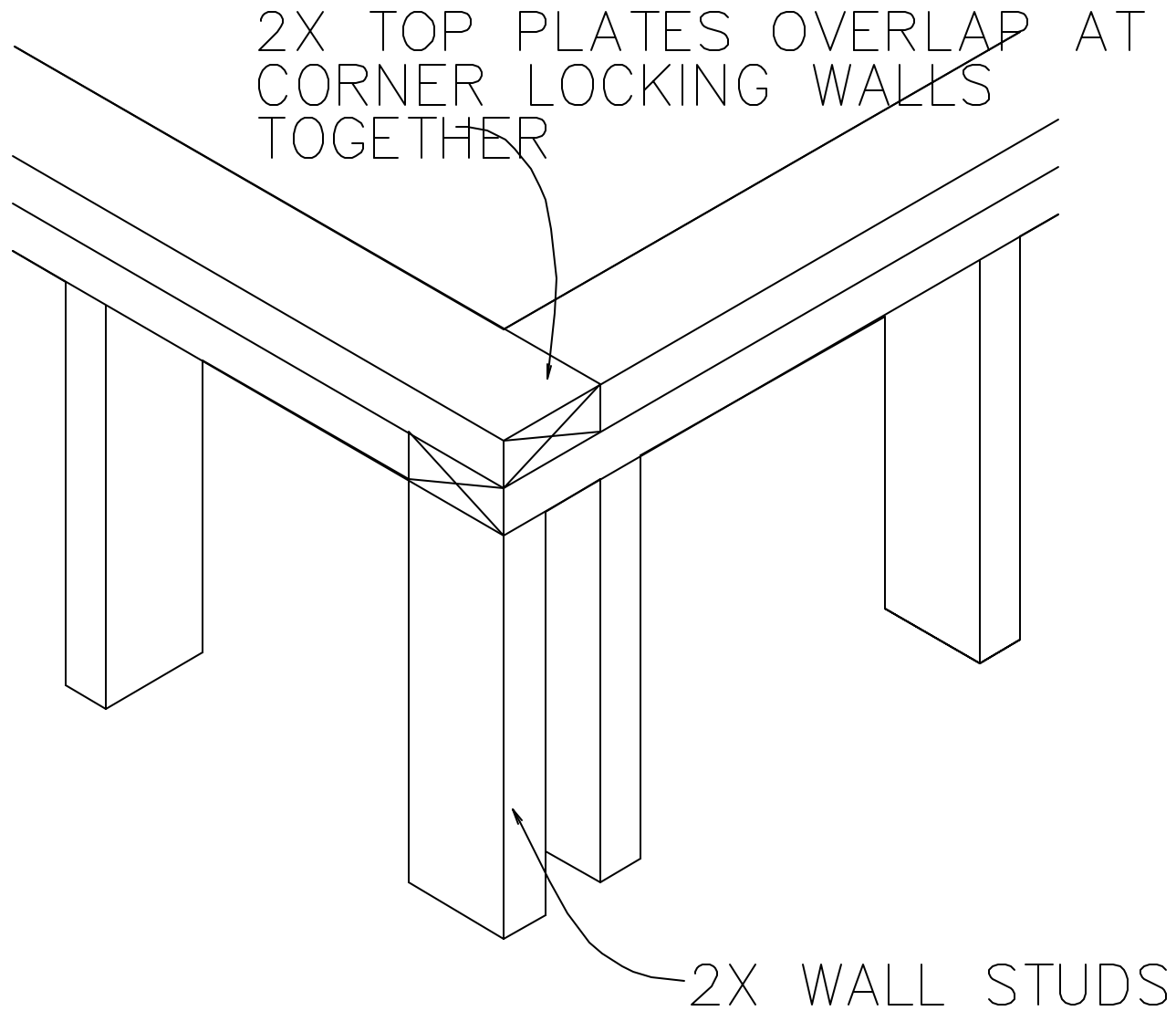
N.T.S.



Use only nails to hold underlayment in place until shingles are laid.

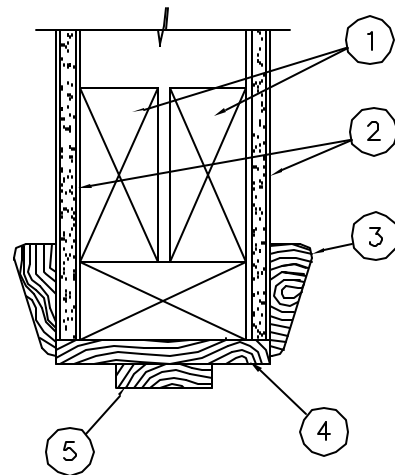
FELT PAPER LAYOUT

N.T.S.



TOP PLATE DETAILS

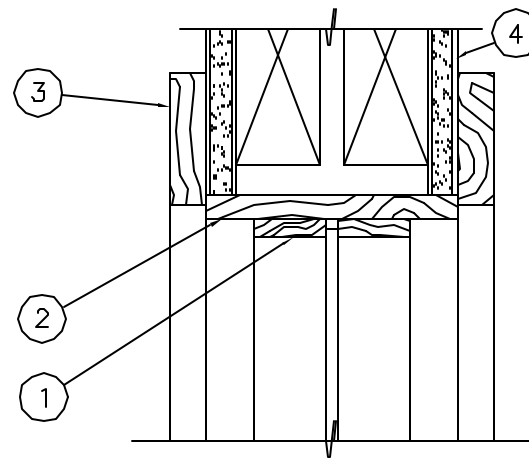
N.T.S.



1. 2 X HEADER.
2. 5/8" GYPSUM BOARD.
3. WOOD TRIM.
4. WOOD HEAD.
5. WOOD STOP.

INTERIOR DOOR HEADER

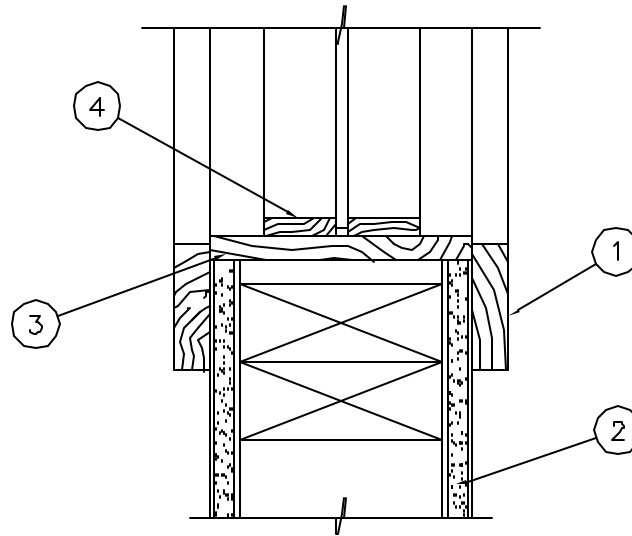
N.T.S.



- 1. WOOD GLAZING STOPS
STAIN GRADE.
- 2. 1" JAMB.
- 3. 1 X 3 TRIM STAIN GRADE.
- 4. 5/8" GYPSUM BOARD..

WOOD HEAD

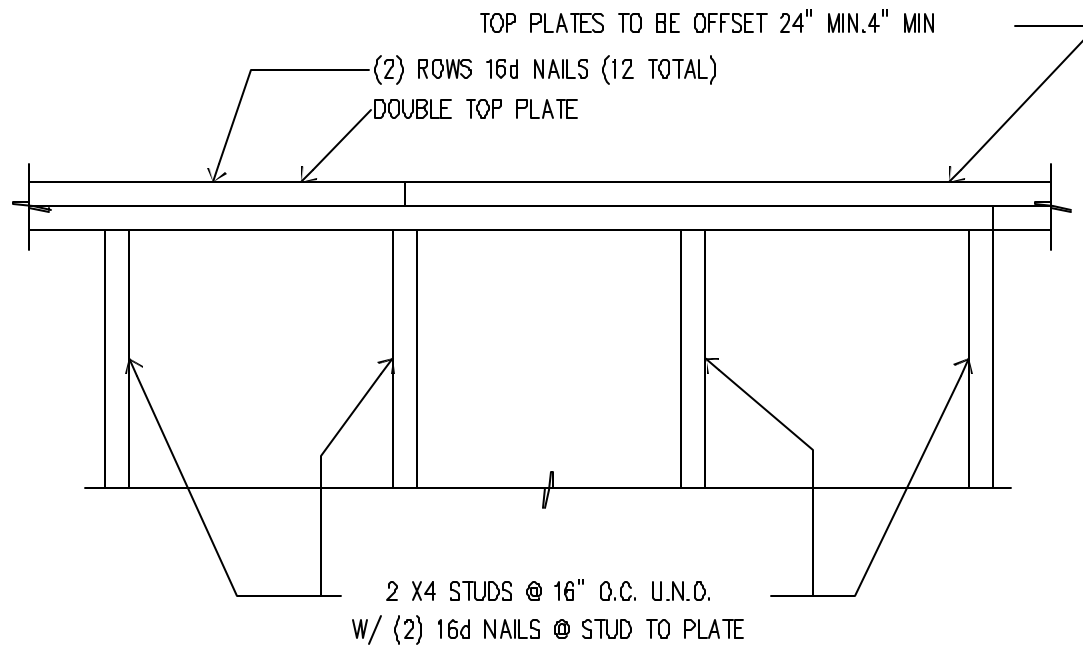
N.T.S.



1. 1 X 3 TRIM STAIN GRADE.
2. 5/8 GYPSUM BOARD.
3. 1" JAMB STAIN GRADE.
4. GLAZING STOPS STAIN GRADE.

WOOD SILL

N.T.S.



TOP PLATE SPLICE

N.T.S.

CDX PLYWOOD SHEAR WALL INSTALLED W/ LONG DIMENSION ACROSS STUDS. STAGGER VERTICAL JOINTS AS PER IRC 2000 R603.7

PANEL SHEATHING USED AS CORNER BRACING W/ LONG DIMENSION PARALLEL TO STUDS

LEAVE 1/4" GAP @ EDGES & 1/8" GAP @ ENDS UNLESS OTHERWISE RECOMMENDED BY MANUFACTURER

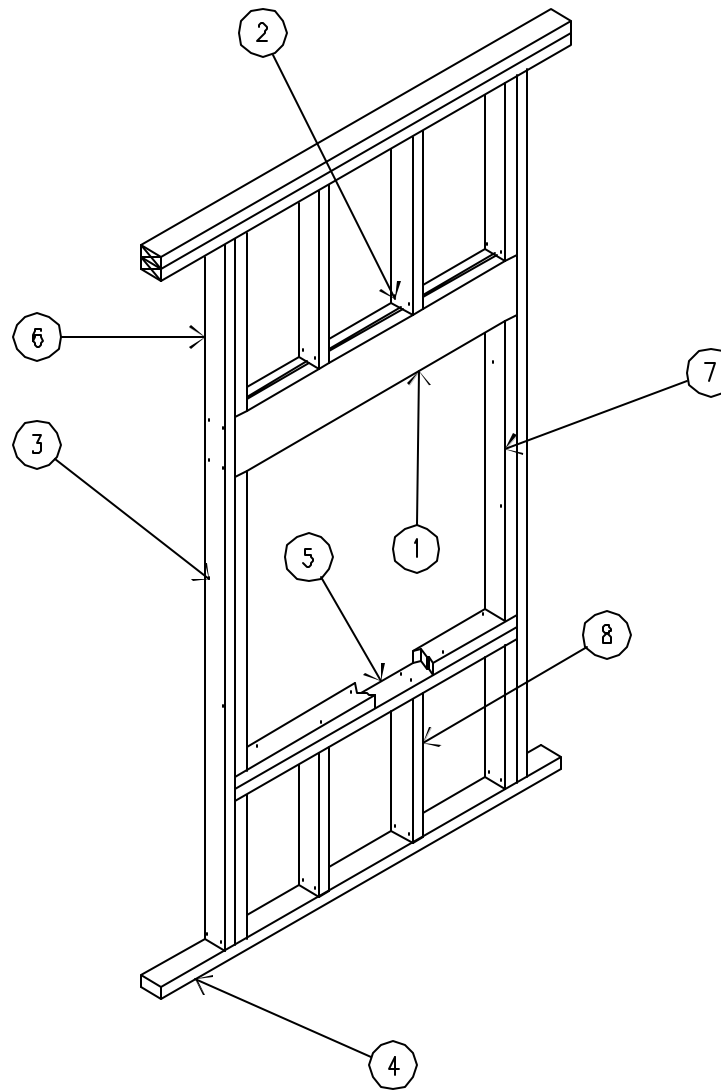
SIDING MATERIAL

WALL FRAMING

PER 2000 IRC

TYPICAL SHEAR WALL

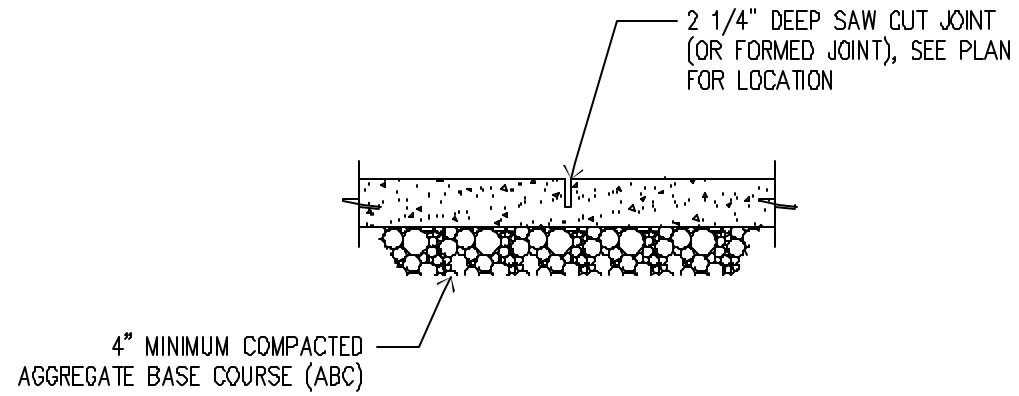
N.T.S.



1. DOUBLE HEADER WITH PLYWOOD
2. TOENAIL.
3. 8" O.C. STAGGERED.
4. SOLE PLATE.
5. SILL SHOWN CUT AWAY TO SHOW NAILING.
6. KING STUD.
7. TRIMMER.
8. CRIPPLE STUD.

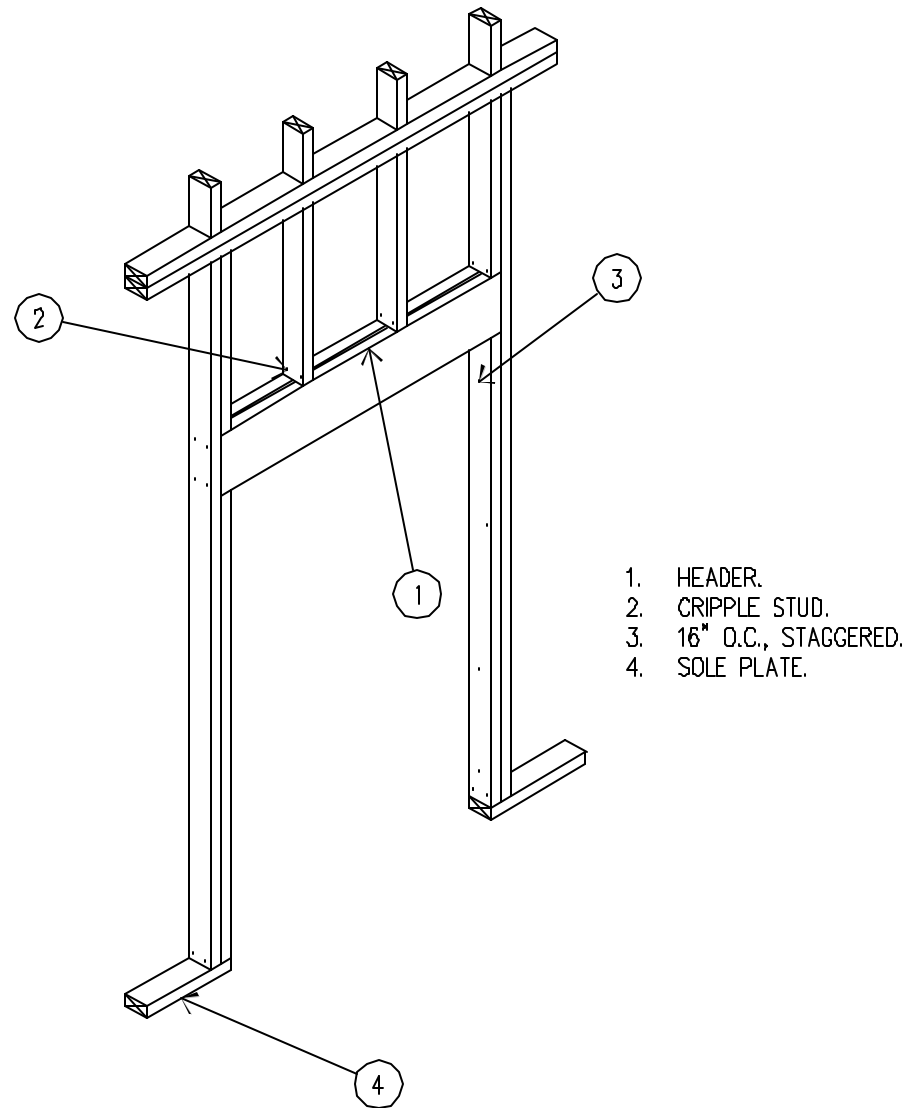
WINDOW OPENING

N.T.S.



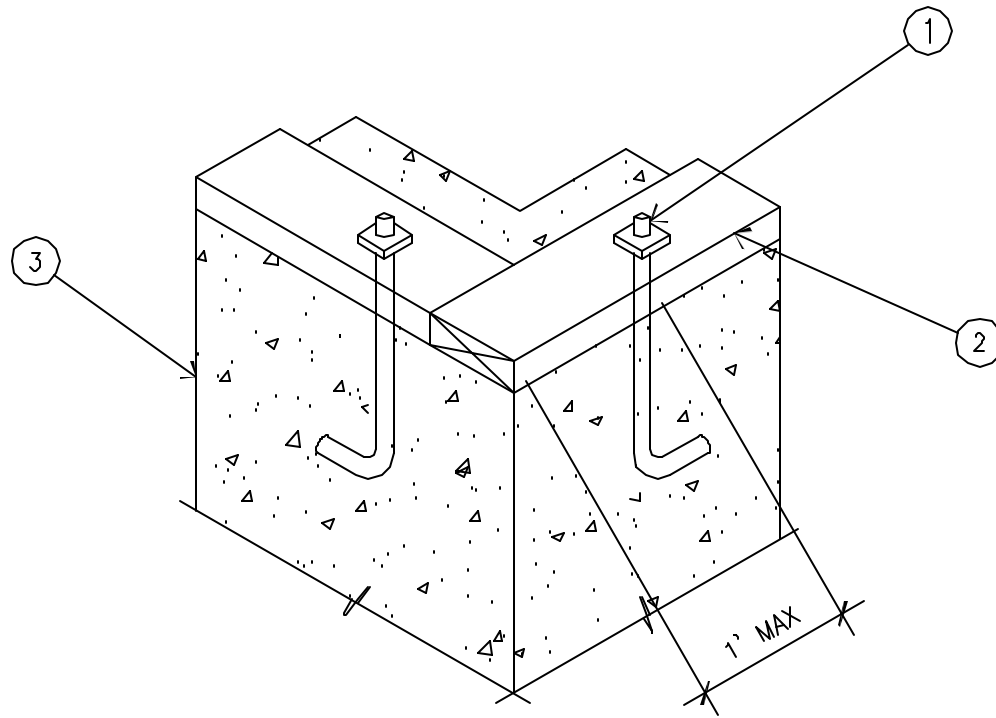
CONTROL JOINT IN SLAB

N.T.S.



DOOR OPENING

N.T.S.



- 1. ANCHOR BOLT.
- 2. 2 X 6 SILL PLATE.
- 3. CONCRETE FOUNDATION

2 X 4 SILL

N.T.S.